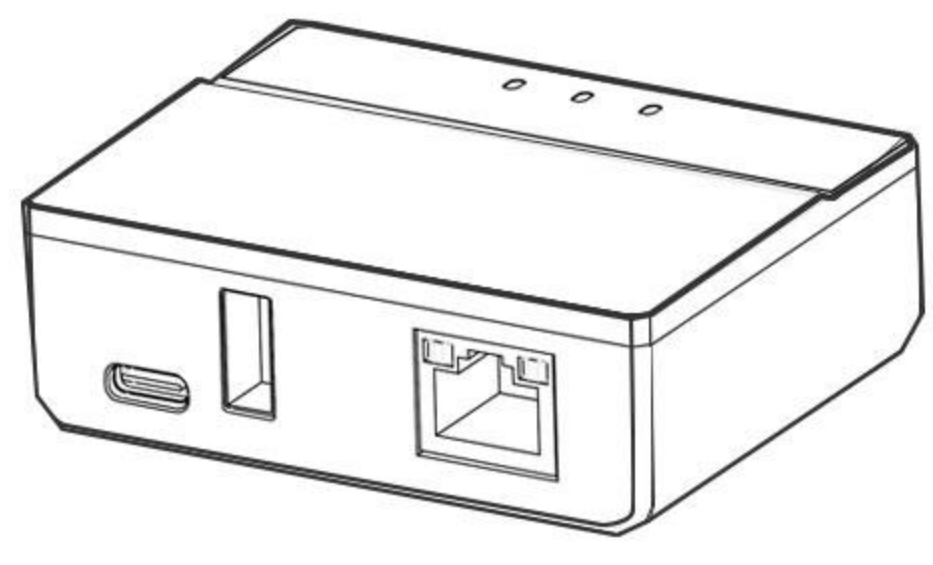
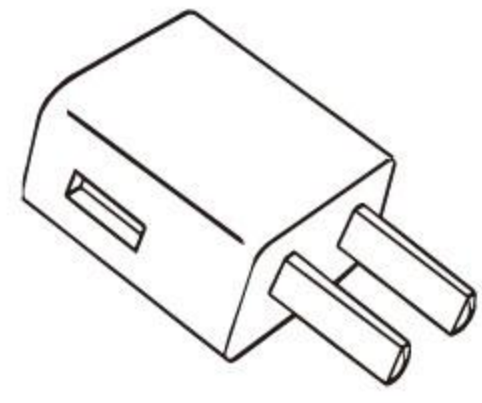


Quick User Guide

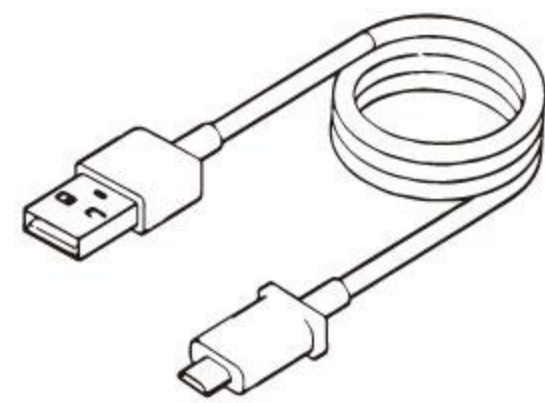
Standard accessories



1 USB port print server

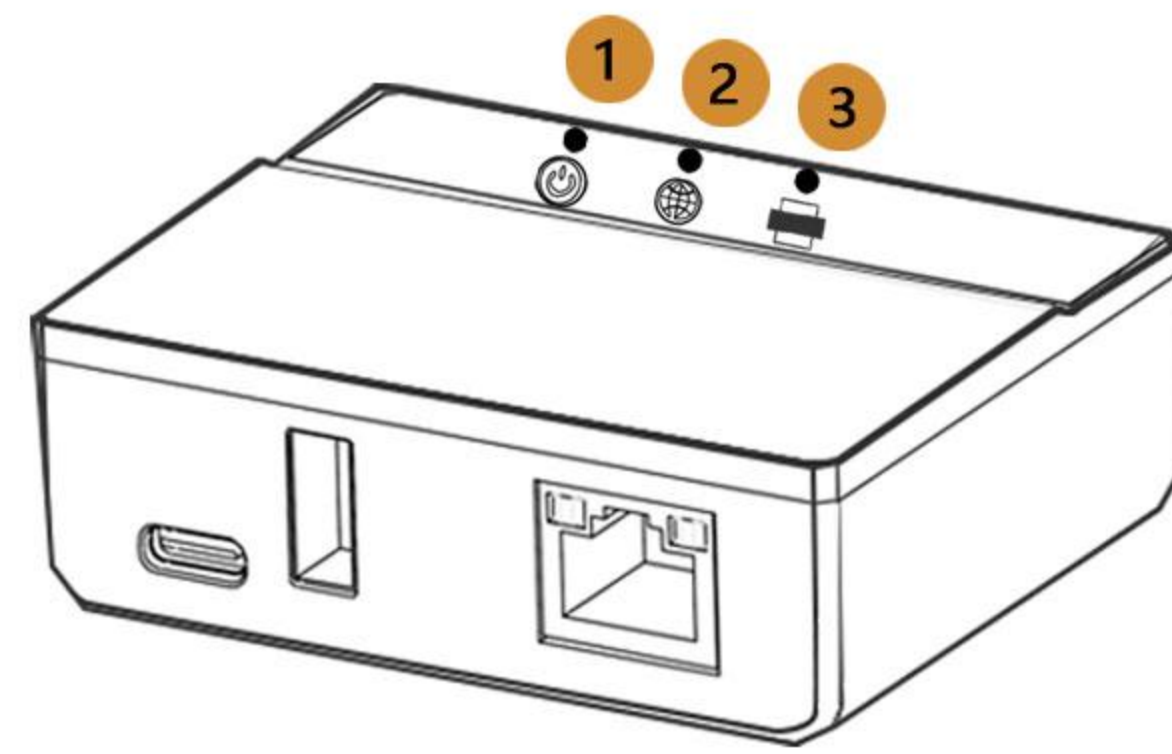


5V power adapter

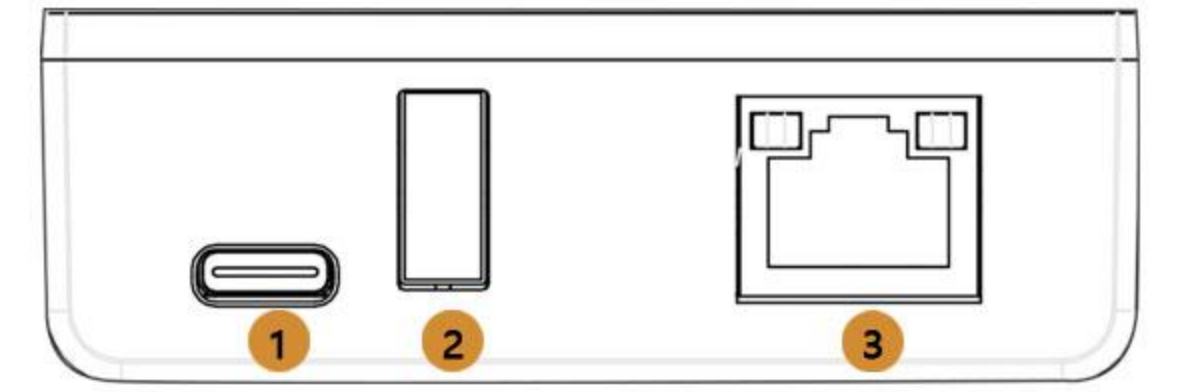


Type-C data cable

1 Status Indication & Interface Description



1. Power Status
2. Network Status
3. Printer Status



1. Power Port
2. USB Port For Printer
3. RJ45 Ethernet Port

2 Install Smartphone APP "Print Assistant"



Scan the QR code & Download the APP "Print Assistant"
Download the APP from Google Play or official web:
<https://loyalty-secutech.com/wb07a/>

3 Config Network for Print Server in Smartphone

1. **Power On the Print Server:** Use LOYALTY-SECU power adapter to turn on the print server.
2. **Enable Bluetooth:** Turn on Bluetooth on your smartphone, then open the APP "Print Assistant".
3. **Connect to the Device:** In the app, select the device (e.g., SW123456789) and tap "Connect".
4. **Config WiFi:** Choose your WiFi network (2.4GHz or 5GHz), enter the password, and the device will automatically obtain an IP address.
5. **Connection Confirmation:** Once connected, the app will show "Connected" and display the assigned IP address for print server.

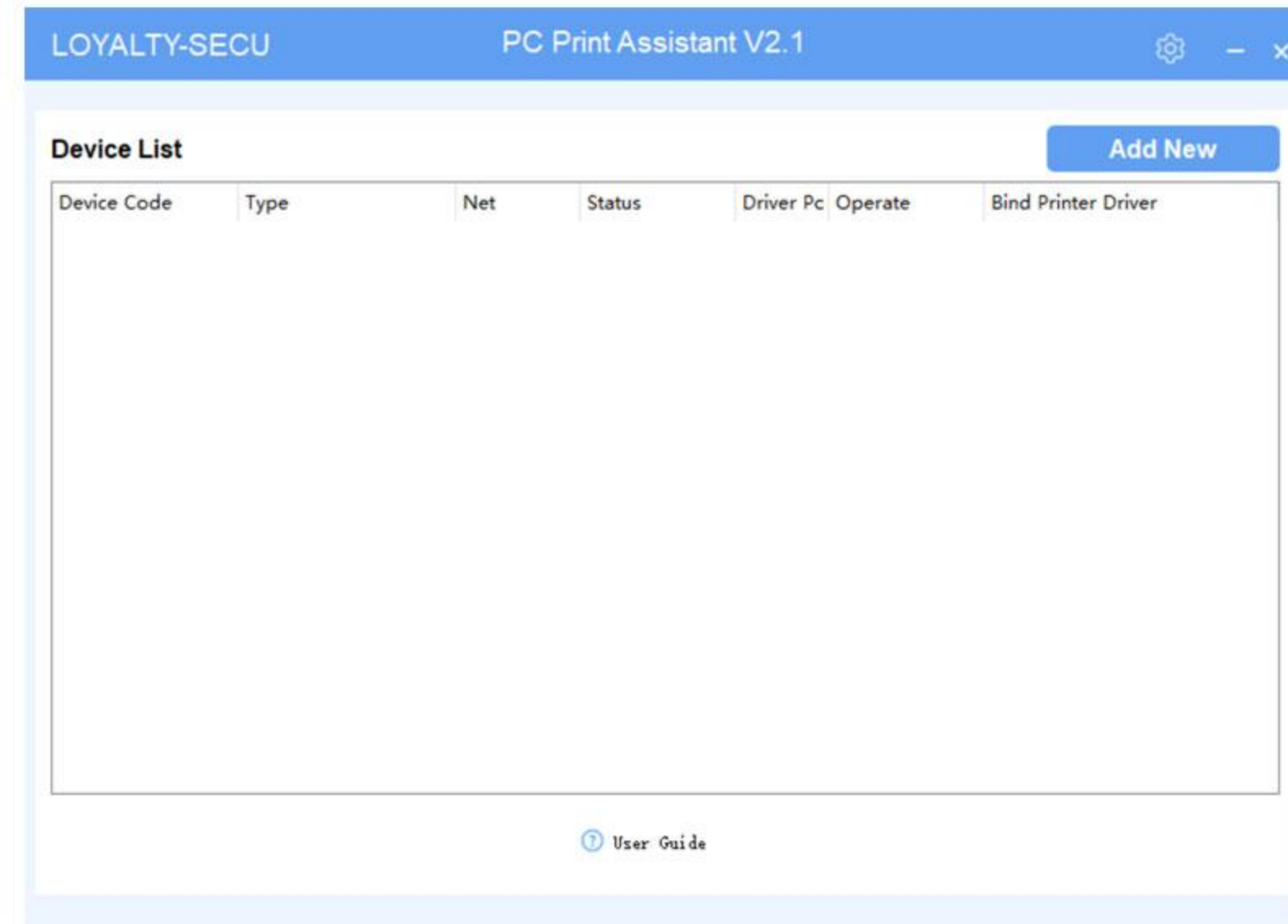
4 Install "PC Print Assistant" for Cloud Printing in PC



1. Scan the QR code & download the "PC Print Assistant" in your PC;
2. Or download "PC Print Assistant" from official web:
<https://loyalty-secutech.com/wb07c/>

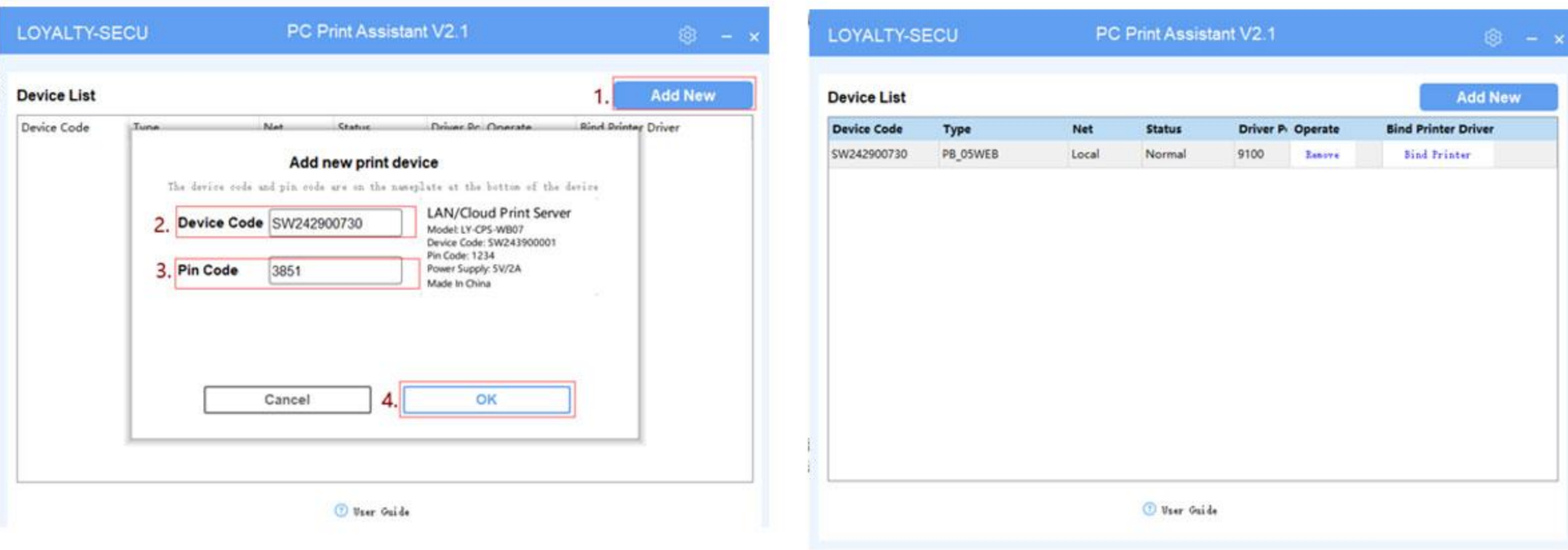
5 Config "PC Print Assistant" for Cloud Printing in PC

1. Power on the print server and the USB printer.
2. Connect the print server to the printer using a USB cable.
3. Ensure that the print server is connected to the internet.
4. Open the "PC Print Assistant".



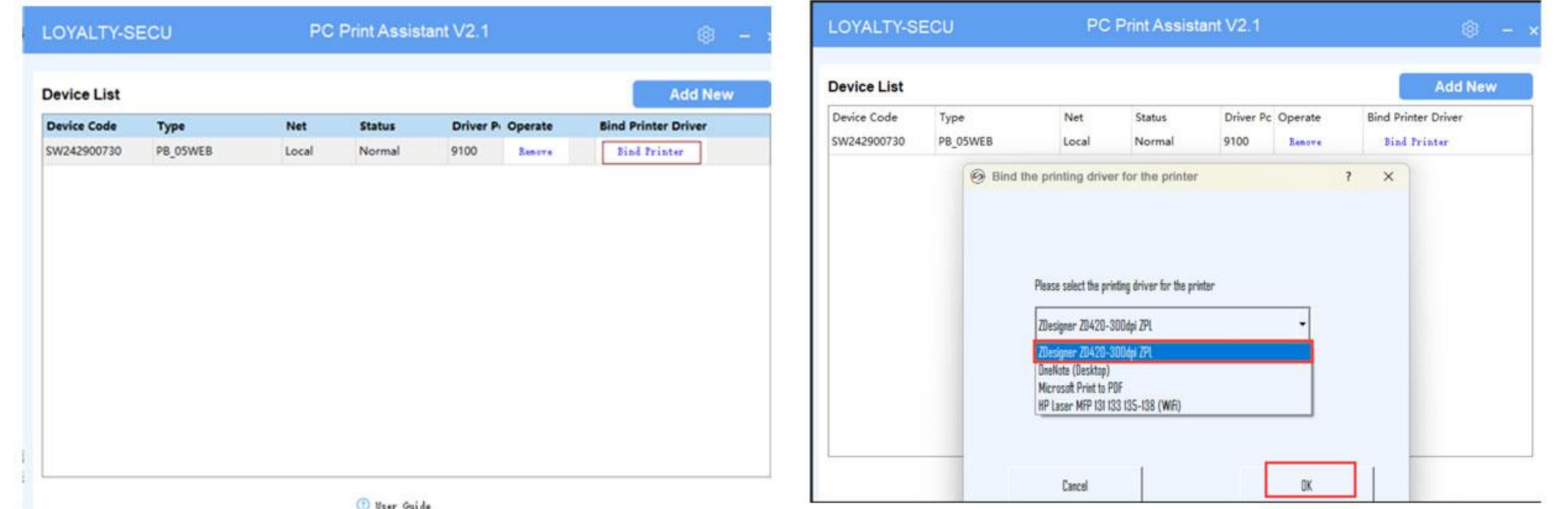
6 Add A Print Server in "PC Print Assistant"

1. Click the "Add New" button to add the print server.
2. Input the Device Code (located on the device label).
3. Input the Pin Code (located on the device label).
4. Click the "OK" button.
5. The print server will be successfully listed in the device list.

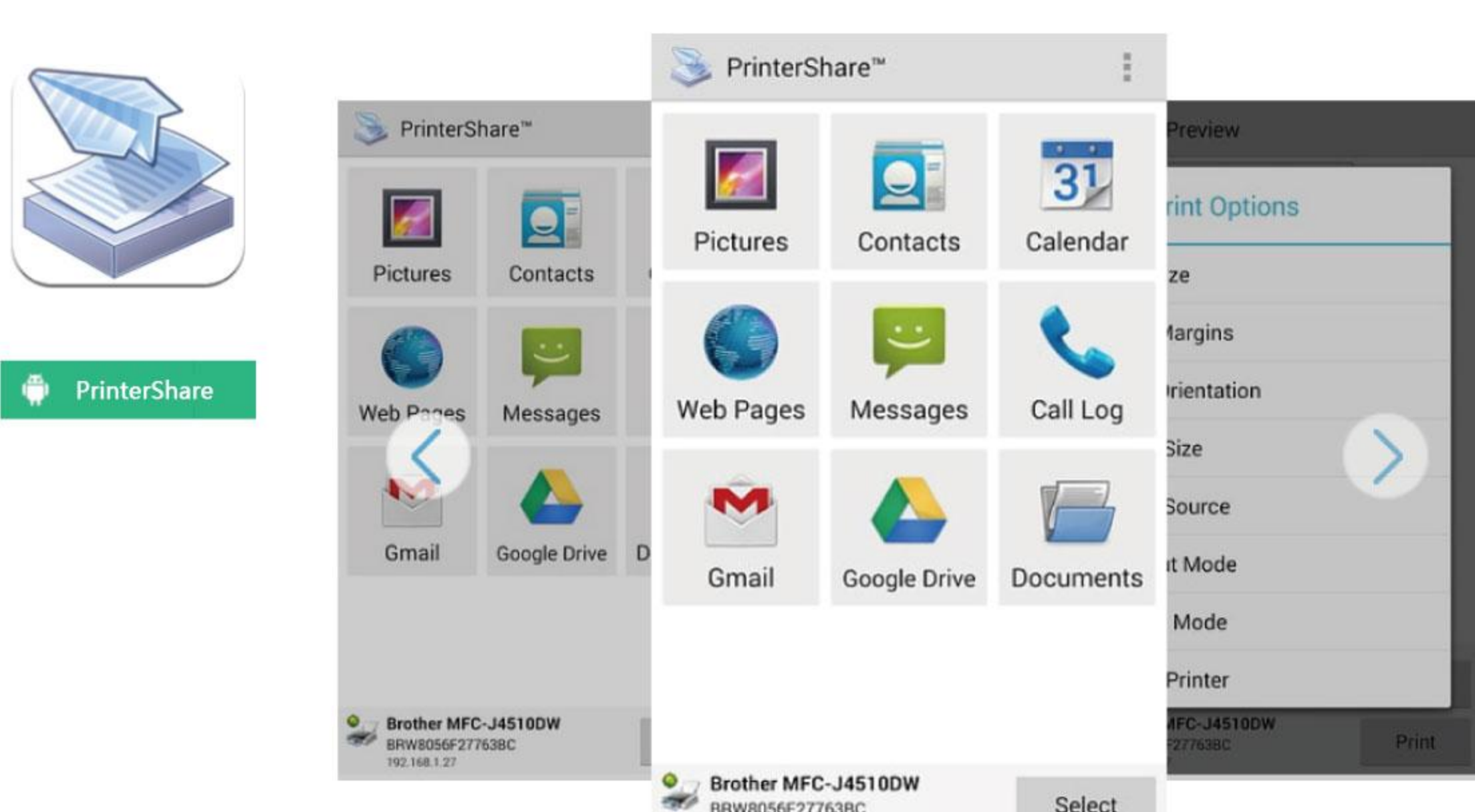


7 Bind the Printer to PC (Windows) for Cloud Printing

1. Click the "Bind Printer" button.
2. Select the printer driver for the printer.
3. Click the "OK" button.
4. Now, you can print via the LAN network or cloud network.

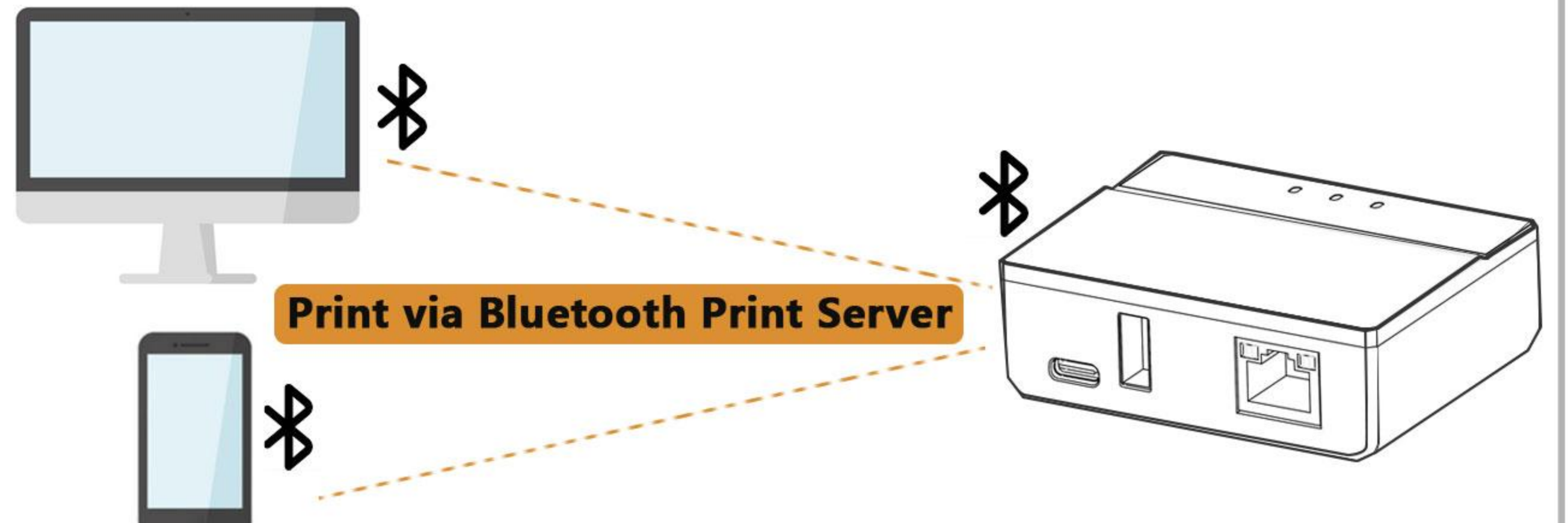


8 Install App for Smartphone Printing (Android)



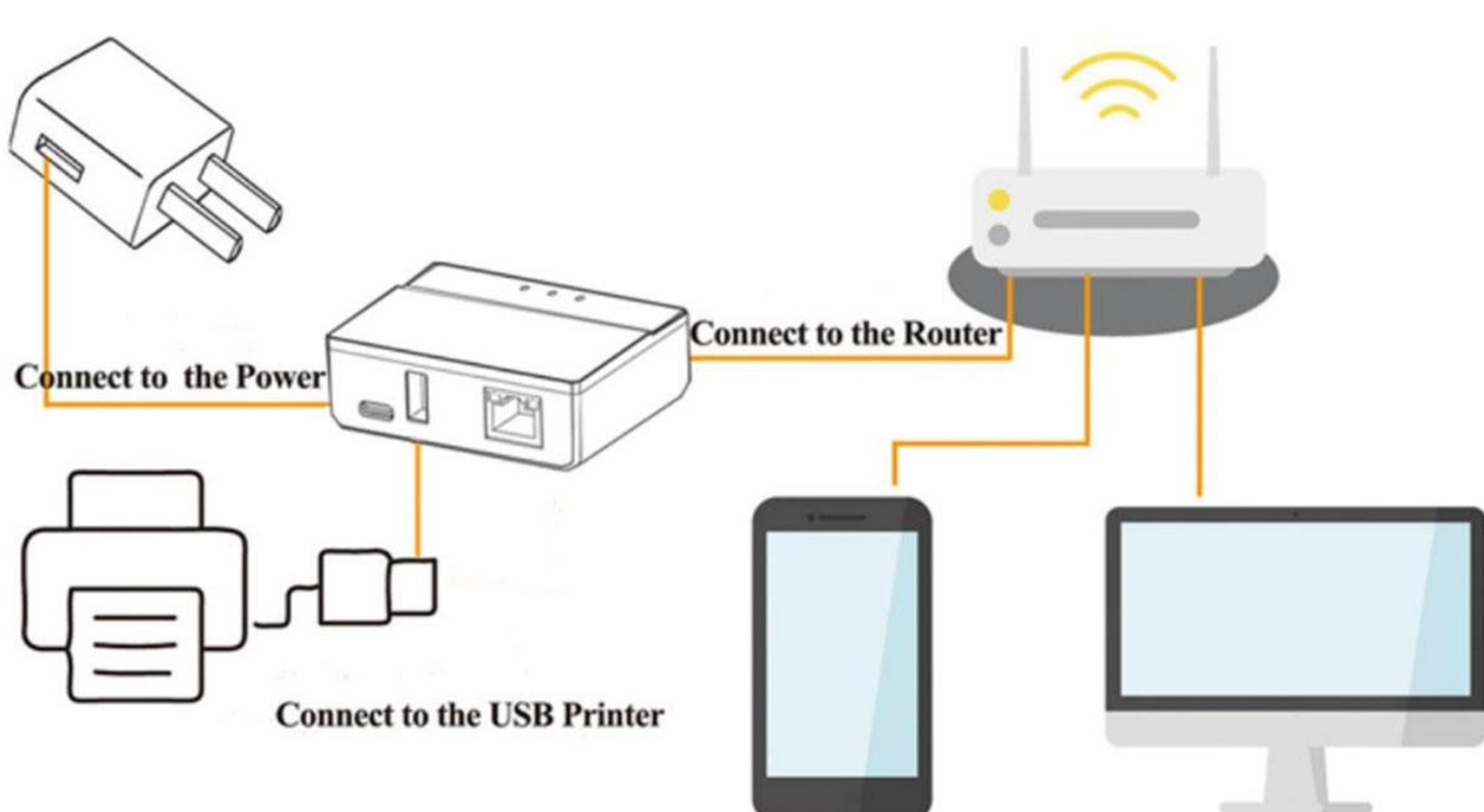
Download the prepaid & third party "PrinterShare" or "PrintHand" app from Google Play.

9 Bluetooth Printing on Windows & Android



1. Connect the printer to the USB port of the print server.
2. Turn on Bluetooth on your computer/Smartphone and pair it with the Bluetooth print server (the Device Name will be the Device Code, e.g., SW123456789; no PIN code is required).
3. Obtain the Bluetooth networking COM number of the print server and assign it to the USB printer.

10 Workflow



11 Video Guide & User Manual



Video Guide QR Code



User Manual QR Code

1. Video Guide download Link: <https://loyalty-secutech.com/wb07v/>
2. User manual download Link: <https://loyalty-secutech.com/wb07gt/>

Making Print Sharing Easy and Free!